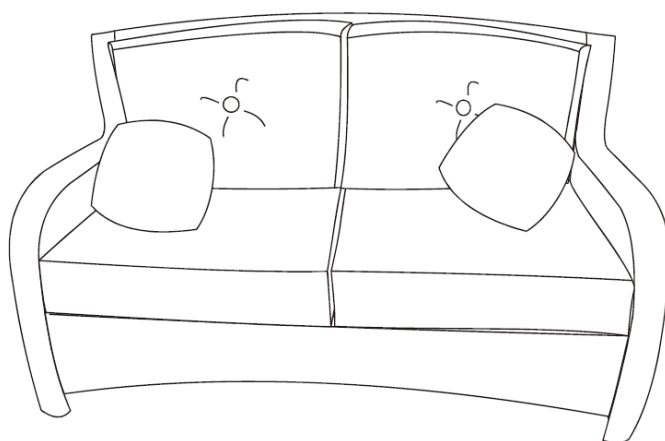




Live life comfortably.™

Sawyer 6PC Seating Set Loveseat

Owner's Manual



If you have any problems with this product, **DO NOT RETURN IT TO THE STORE.**

**CALL OUR CUSTOMER SERVICE HOTLINE AT
(877) 592-7514**

8am-5pm (EST), Monday - Friday

La-Z-Boy® is a registered trademark of La-Z-Boy Incorporated and is used under license to BJI, Inc. © 2017 La-Z-Boy Incorporated.

For warranty and other helpful information, please visit www.lazboyoutdoor.com or call 1-877-592-7514, Monday-Friday, 8AM-5PM (EST) or email us at customerservice@lazboyoutdoor.com.

Care and Maintenance

Be careful to never allow water to build up in frames as this will cause corrosion and freeze damage in cold climates. Wash all frames with a solution of mild soap and water. Rinse with clean water and dry with a soft absorbent cloth towel. Frames can be treated with a liquid wax for maximum protection against UV rays and/or salty damp air. If your set includes cushions, slings, and/or an umbrella they may be cleaned by hand with a solution of soap and water with a clean water rinse. (Never machine wash cushions, slings or umbrella covers as this will result in shrinkage or damage).

After cleaning cushions tip on end and allow to drip dry. (Never use a commercial or home dryer to tumble dry fabric goods).

Do not use bleach or solvents to clean any product! This will void the warranty.

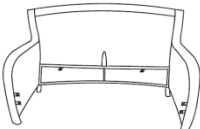

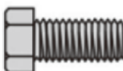


Lack of original receipt will void warranty!





CAUTION: Read all the instructions before assembly. Failure to do so may result in faulty assembly and potential injury!

Assemble product on a soft, non-abrasive surface such as a carpet or cardboard to avoid damaging the item. Seek assistance to assemble bulky or heavy items. After final alignment, make sure all bolts and nuts are securely tightened with screw head covers pressed in place.

Note: Do not allow children to play with plastic wraps or small parts to prevent potential choking hazard.

PARTS LIST

PART#	DESCRIPTION	PICTURE	Q'TY
A	Seat Frame		1
B	Seat		1
C	Bolt M6 x 15MM		6
D	M6 Washer		6
E	M6 Bolt Cover		6

F	Open Wrench		2
G	Seat Cushion		2
H	Back Cushion		2
I	Toss Pillow		2

Assembly Steps:

Note: Do not fully tighten bolts until assembly is completed and alignment is correct.

Step 1. Place the seat frame (A) on a flat surface.(Figure 1)

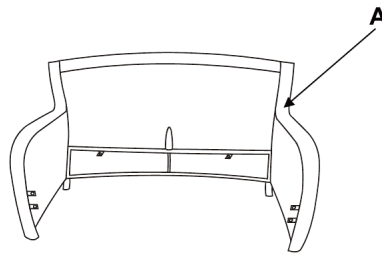


Figure 1

Step 2. With the help of another person, carefully place the seat (B) into the seat frame. Connect the seat to the seat frame with bolts (C), washers (D) by using open wrench (F), then cover the bolts with bolt covers (E). (Figure 2&3)

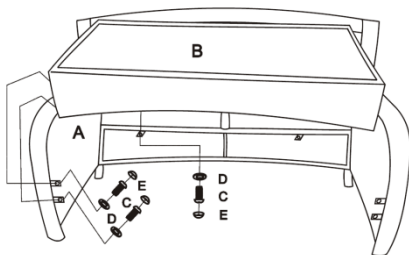


Figure 2

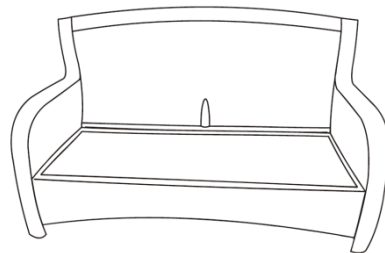


Figure 3

Step 3. Place the seat cushions (G), back cushions (H) and the toss pillows (I) on the seat. Your loveseat is now ready to use. (Figure 4)

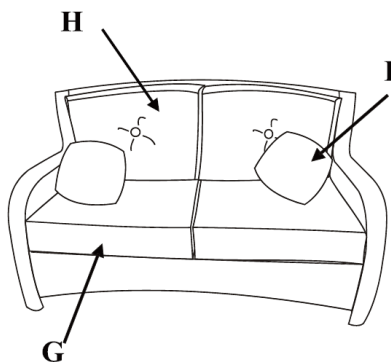


Figure 4

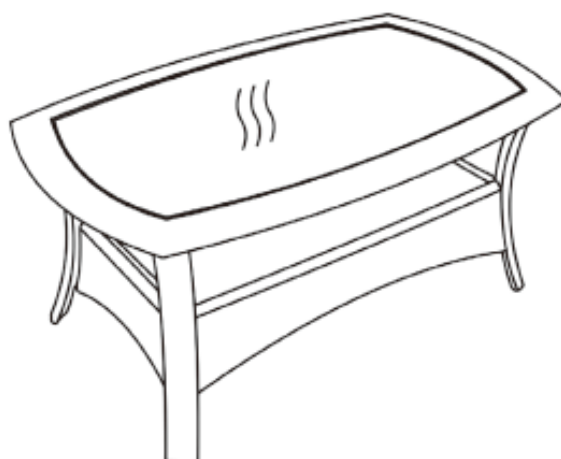
Look under lounge chairs and ottomans for cushions.



Live life comfortably.™

Sawyer 6PC Seating Set Coffee Table

Owner's Manual



If you have any problems with this product, DO NOT RETURN IT TO THE STORE.

CALL OUR CUSTOMER SERVICE HOTLINE AT
(877) 592-7514

8am-5pm (EST), Monday - Friday

La-Z-Boy® is a registered trademark of La-Z-Boy Incorporated and is used under license to BJI, Inc. © 2017 La-Z-Boy Incorporated.

For warranty and other helpful information, please visit www.lazboyoutdoor.com or call 1-877-592-7514, Monday-Friday, 8AM-5PM (EST) or email us at customerservice@lazboyoutdoor.com.

Care and Maintenance

Be careful to never allow water to build up in frames as this will cause corrosion and freeze damage in cold climates. Wash all frames with a solution of mild soap and water. Rinse with clean water and dry with a soft absorbent cloth towel. Frames can be treated with a liquid wax for maximum protection against UV rays and/or salty damp air. If your set includes cushions, slings, and/or an umbrella they may be cleaned by hand with a solution of soap and water with a clean water rinse. (Never machine wash cushions, slings or umbrella covers as this will result in shrinkage or damage).

After cleaning cushions tip on end and allow to drip dry. (Never use a commercial or home dryer to tumble dry fabric goods).

Do not use bleach or solvents to clean any product! This will void the warranty.






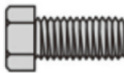



Lack of original receipt will void warranty!

CAUTION: Read all the instructions before assembly. Failure to do so may result in faulty assembly and potential injury!

Assemble product on a soft, non-abrasive surface such as a carpet or cardboard to avoid damaging the item. Seek assistance to assemble bulky or heavy items. After final alignment, make sure all bolts and nuts are securely tightened with screw head covers pressed in place.

Note: Do not allow children to play with plastic wraps or small parts to prevent potential choking hazard.

PARTS LIST

PART#	DESCRIPTION	PICTURE	Q'TY
A	Table Rim with Glass		1
B	Table Leg		4
C	Short Leg Connector		2
D	Long Leg Connector		2
E	Leg Connecting Plate		1
F	M6 x 15 Bolt		20
G	Washer		20
H	Cover		20
I	Open Wrench		2

Assembly Steps:

Note: Do not fully tighten bolts until assembly is completed and alignment is correct.

Step 1. Take the glass out from table rim then put it on a soft surface.

Step 2. Carefully place the table rim (A) upside down on a non-abrasive surface.(Figure 1)

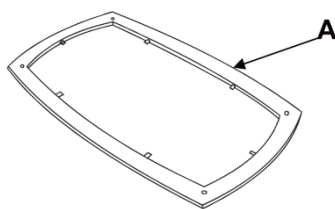


Figure 1

Step 3. Then loosely attach the legs (B) to the table top (A) with bolts (F) and washers (G) by using open wrench (I). (Figure 2)

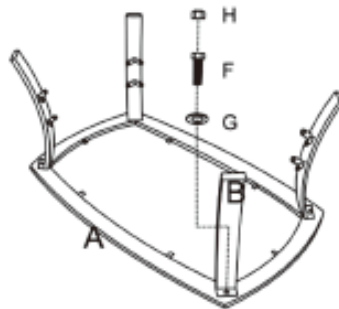


Figure 2

Step 4. Attach short leg connector (C) to table legs (B) with bolts (F) and washers (G) by using open wrench (I). (Figure 3)

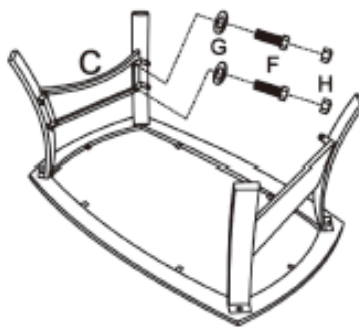


Figure 3

Step 5. Then assemble one of the long leg connector (D) to the table legs (B) with bolts (F) and washers (G) by using open wrench (I). (Figure 4)

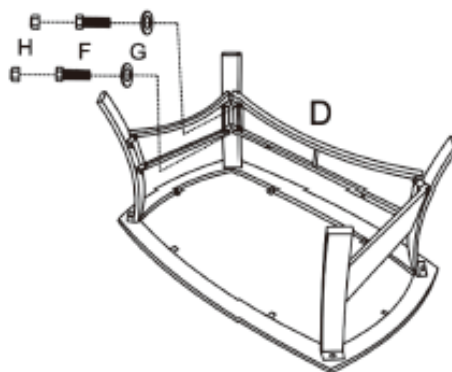


Figure 4

Step 6. Insert the leg connecting plate (E) to the one of the long leg connector (D). (Figure 5)

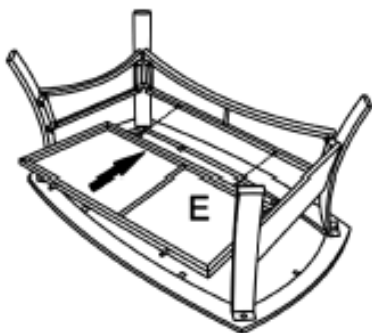


Figure 5

Step 7. Then insert the leg connecting plate (E) to the other long leg connector(D) and at the same time assemble the long leg connector to the table legs with bolts (F) and Washers (G). (Figure 6)

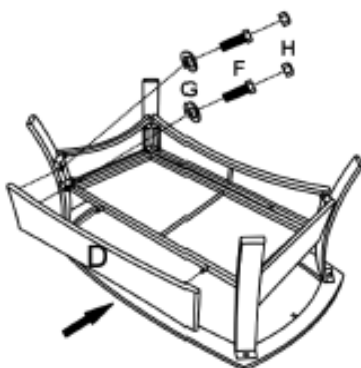


Figure 6

Step 8. Check the alignment of all table legs (B) and adjust if necessary. Once the alignment is correct, tighten all bolts (F) with open wrench (I).

Step 9. Cover all bolts (F) with bolt covers (H). Then carefully turn the table right side up.

Step 10. Place the glass on the table rim as shown in figure 7. Your table is now ready to use. (Figure 7)



Figure 7

Warning:

- a..Do not crawl, stand, or sit on glass table tops.**
- b..Do not set or lay heavy items on glass table tops.**
- c..Avoid extreme hot & cold items being placed on glass table tops.**
- d..This glass table top is produced with tempered glass which is designed to safely shatter in small pieces when impacted or stressed beyond strength limitations.**